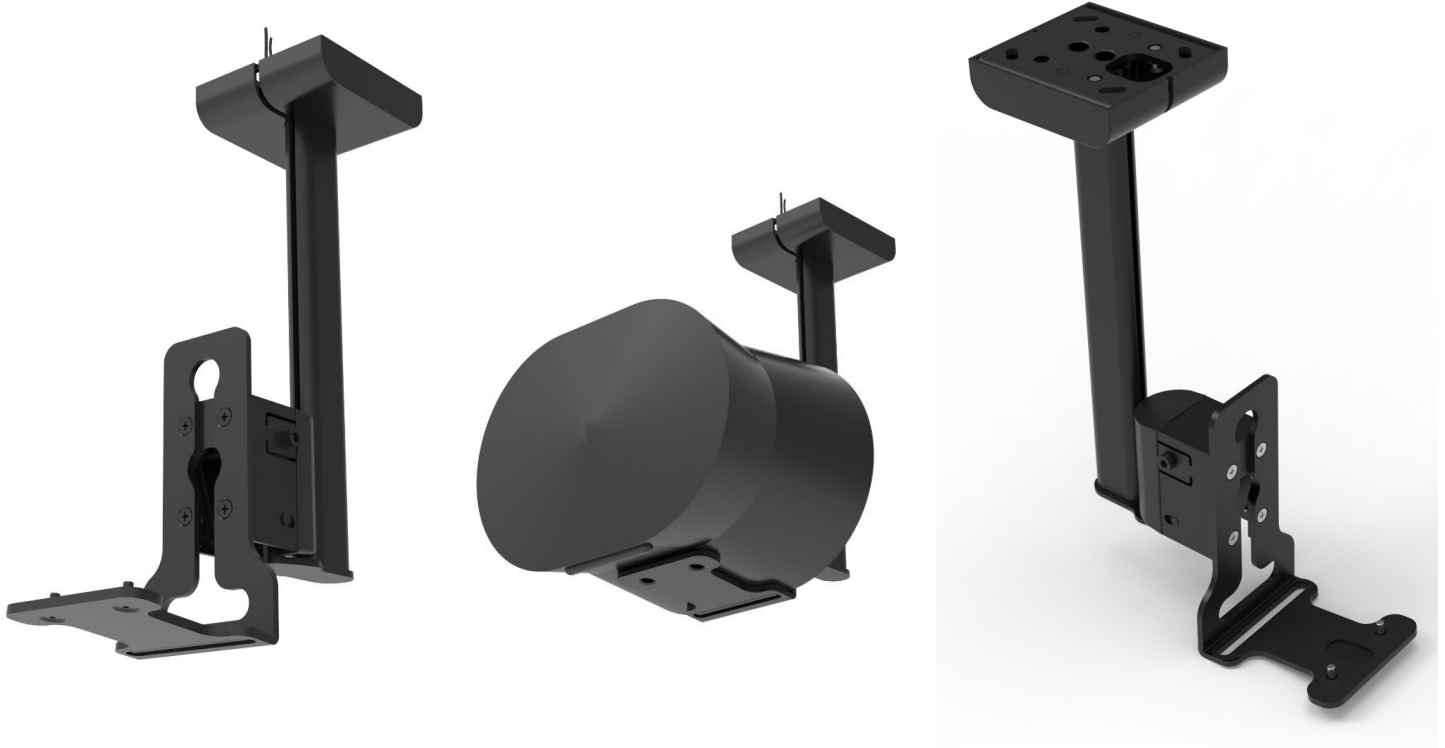


## ACCESSORIES FOR SONOS

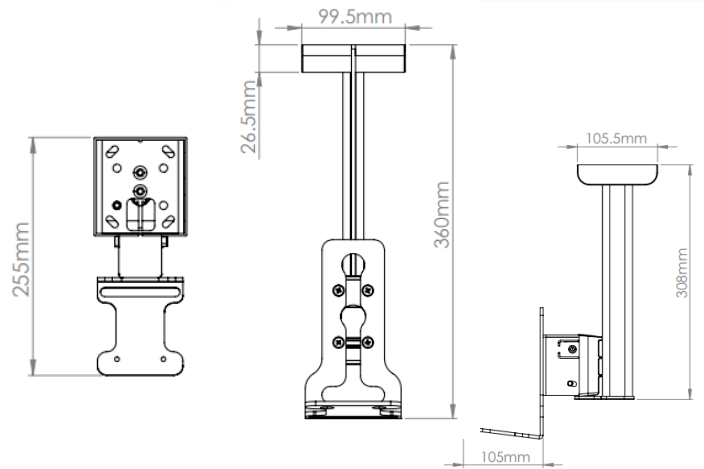
### ERA300-CM Ceiling Mount for Sonos ERA 300



The Flexson Ceiling Mount for Sonos ERA 300 allows you to hang your speaker from the ceiling in the ideal place to sound - and look - great. This new, improved design gives you yet more flexibility and functionality with clever cable routing to the ceiling. It's ideal for commercial installs in bars, restaurants and shops, as well as for home use.

The new Flexson ceiling mount has a unique tilting mechanism, as well as the ability to swivel left or right, so you can perfectly angle your sound. Able to tilt 15 degrees down, swivels 80 degrees (40 degrees right & 40 degrees left). The bracket also allows you to hang the Sonos ERA 300 upside down so you can access on-speaker controls.

- Bespoke design securely holds the Sonos ERA 300
- Base seamlessly fits the speaker, holding it securely.
- Holds a single Sonos ERA 300 speaker 30cm below ceiling
- Clever cable management to keep things tidy
- Speaker can be inverted for access to controls if required
- Unique tilting mechanism (down 15°) plus can swivel up to 80° (40° left, 40° right), so you can perfectly angle your speaker
- Precision engineered. Quick and easy to fit



	White	Black
Product Code	FLXE300CM1011	FLXE300CM1021
UPC Number	5057964002842	5057964002859

UK, European and US (SRP)	£109.99	€119.99	\$119.99
---------------------------	---------	---------	----------

Product Specifications	Height	Width	Depth	Weight
Product Size (mm)	52mm	180mm	255mm	0.98kg
Carton Dimensions (mm)	105mm	330mm	180mm	1.75kg
Carton Contents	1 x Ceiling Mount & 1 x Instructions			
Country of Manufacture	China	Outer Carton Quantity	5	